

High performance lubrication for wind turbines

The difference is in the detail



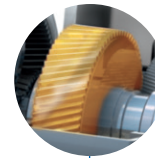
Pitch Bearing

Mobil SHC Grease 460 WT
Mobil SHC Grease 461 WT
Mobil SHC Grease 68 IPC **New**



Main Shaft Bearing

Mobil SHC Grease 460 WT
Mobil SHC Grease 461 WT
Mobil SHC Grease 681 WT
Mobilith SHC 007



Gearbox

Mobil SHC Gear 320 WT

10 year
warranty



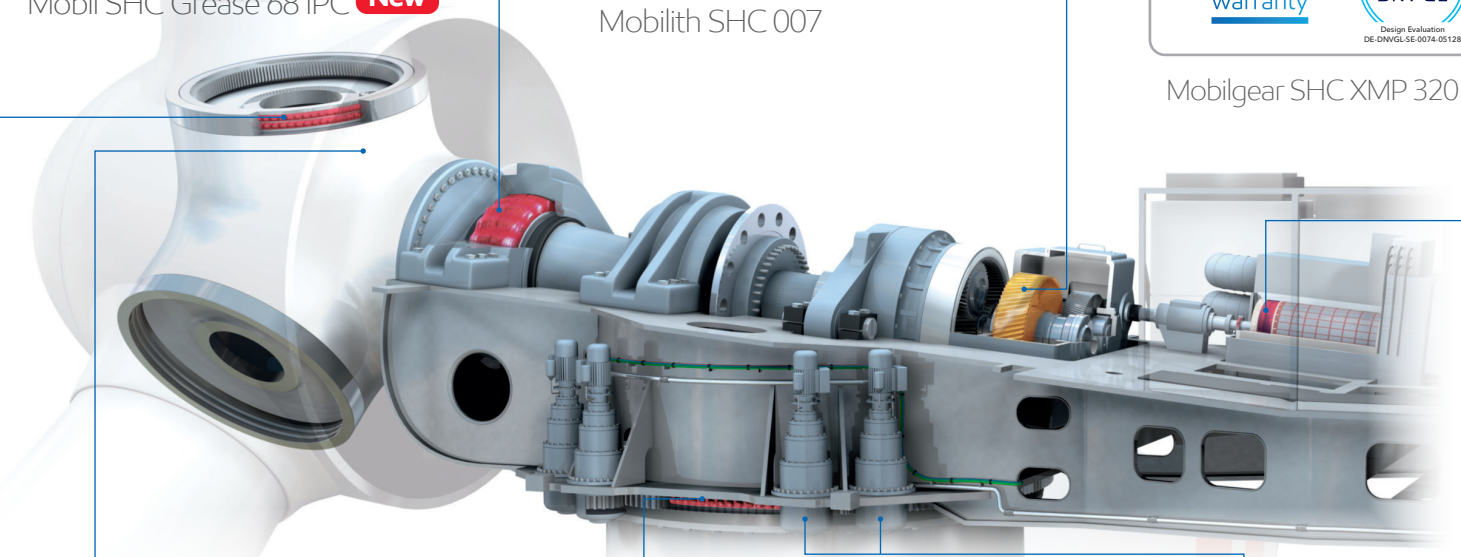
Mobilgear SHC XMP 320

Top treat solutions

Mobil Xtra WT Series **New**

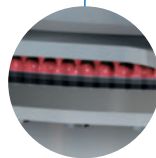
Flushing Oil

Mobil Flush 320
Use for oil conversion only



Pitch Gear

Mobil SHC Gear Series
Mobil SHC 600 Series



Yaw Bearing

Mobil SHC Grease 460 WT
Mobil SHC Grease 461 WT
Mobil SHC Grease 681 WT
Mobil SHC Grease 68 IPC **New**



Yaw Gear

Mobil SHC Gear Series
Mobil SHC 600 Series

Generator

Mobilith SHC 100

Hydraulic System

Mobil SHC 500 Series
Mobil DTE 10 Excel 32

Open Gear

Mobilgear OGL 007 / 461

mobil.eu/wind

© 2023 ExxonMobil.

All trademarks used herein are trademarks or registered trademarks of Exxon Mobil Corporation or one of its subsidiaries.

Note: Please consult the equipment builder manual for specific lubricant recommendations

